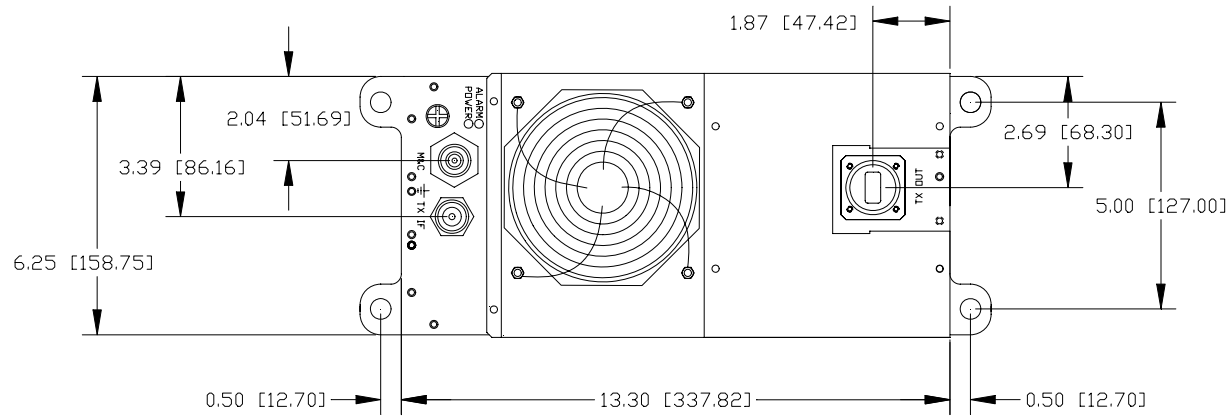
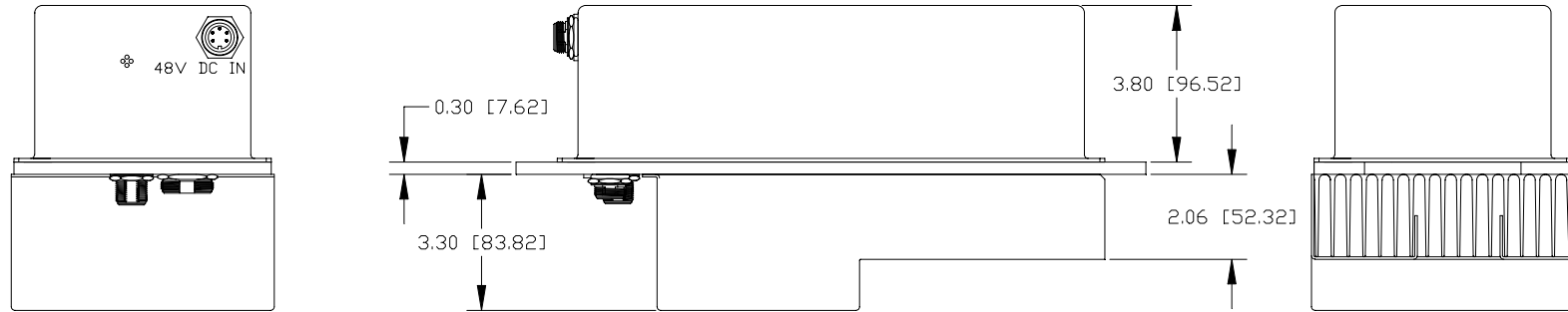


REV	BY	DESCRIPTION	DATE	APPROVED
1	ZHU	PROTOTYPE RELEASED	03/1/07	



ANACOM, INC.

OUTLINE DRAWING
Ku 8/32W BABY BUC,DC/DC P.S.

SIZE	CLASS CODE	DRAWING NUMBER	REV
D		32770	02

SCALE: NONE FILE No. 32770021 SHEET 1 OF 1