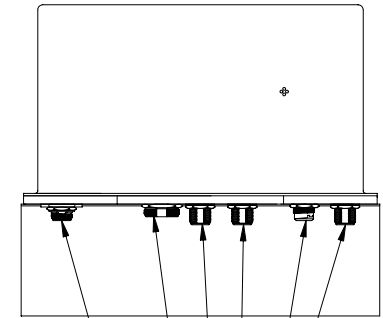
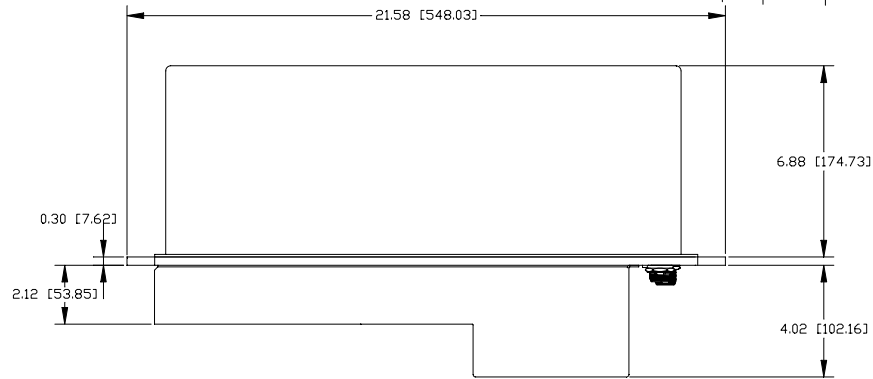
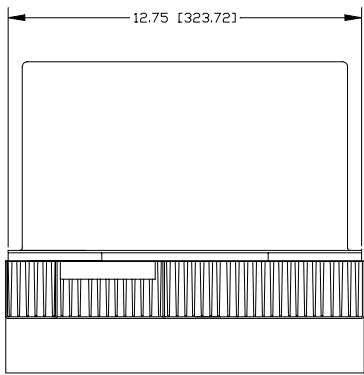
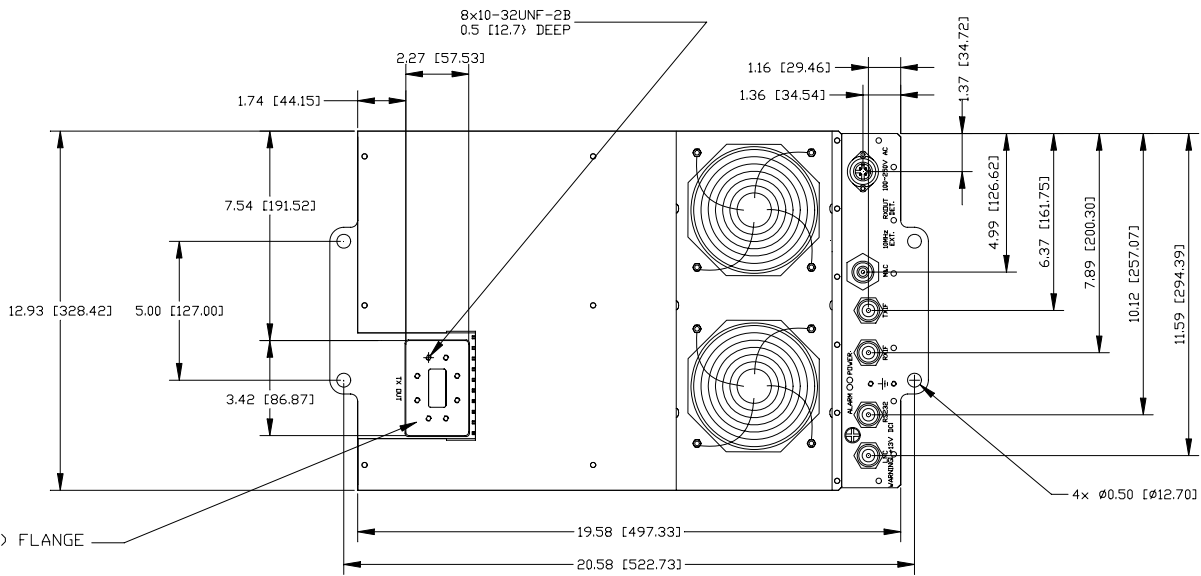


REV	BY	DESCRIPTION	DATE	APPROVED
1	ZHU	PROTOTYPE RELEASED	10/08/01	
2	ZHU	REV. PER ECO#648	11/11/02	
3	ZHU	REV. PER ECO#827	8/12/09	



- LNK [TYPE N(F)]
- RS232 [6 PIN]
- RXIF [TYPE N(F)]
- TXIF [TYPE N(F)]
- M&C [18 PIN]
- AC POWER [4 PIN]



ANACOM, INC.

OUTLINE DRAWING
ODU, 100WATT C-BAND

SIZE	CLASS CODE	DRAWING NUMBER	REV
D		31486	3
SCALE: NONE	FILE No. 31486031	SHEET 1 OF 1	