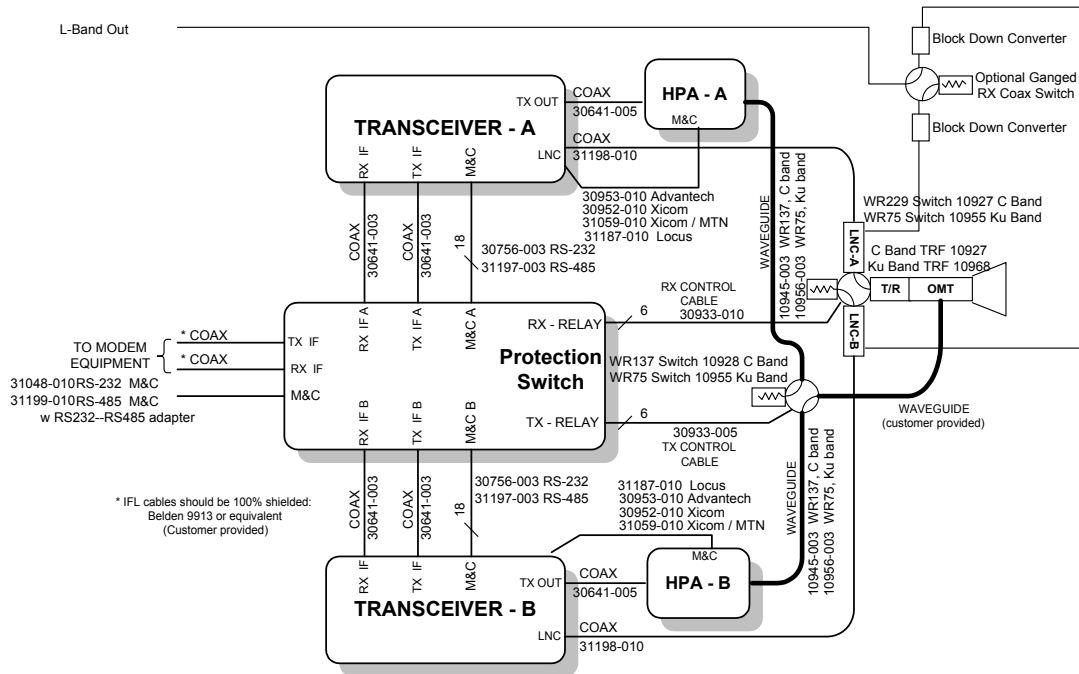


1+1 Redundancy Setup, external HPAs, with Block Down-Converters

Notes:

- BDCs must get power from a source other than the ODUs, such as the L-band modem.
- BDCs can be protected if there is a C-form relay somewhere that the RX side of the protection switch can monitor for an alarm.
- This configuration would work well with AnaSat ODUs being provided as TX-only units.



ANACOM 1 + 1 Redundancy Protection Switch Cabling Diagram (External HPA)