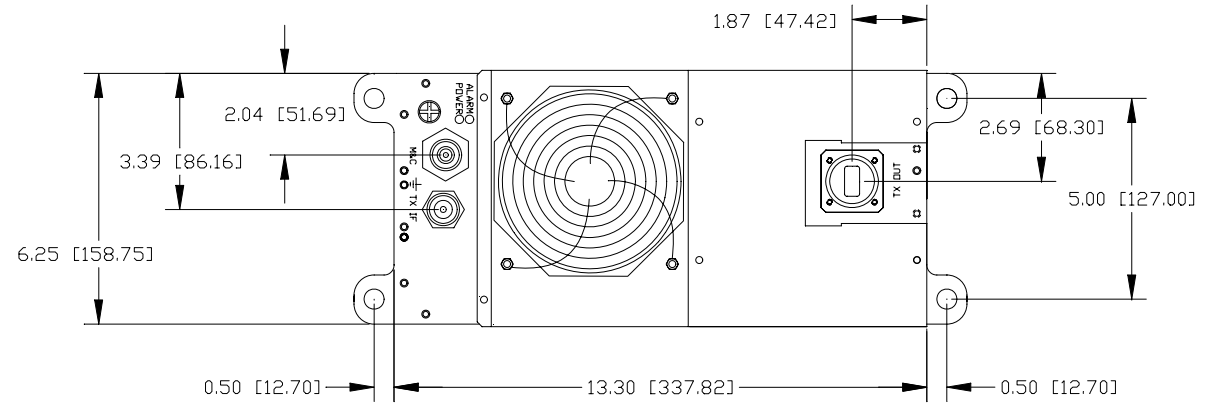
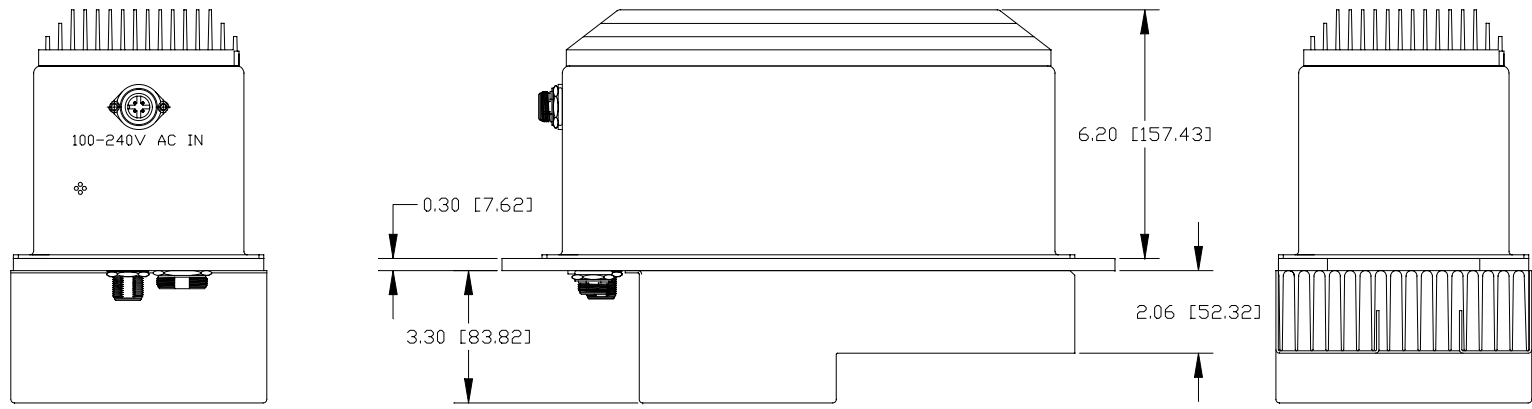


REV	BY	DESCRIPTION	DATE	APPROVED
1	ZHU	PROTOTYPE RELEASED	02/17/10	



ANACOM, INC.			
OUTLINE DRAWING			
40W Ku BABY BUC, AC/DC P.S.			
SIZE	CLASS CODE	DRAWING NUMBER	REV
D		32834	01
SCALE: NONE	FILE No. 32834011	SHEET 1 OF 1	