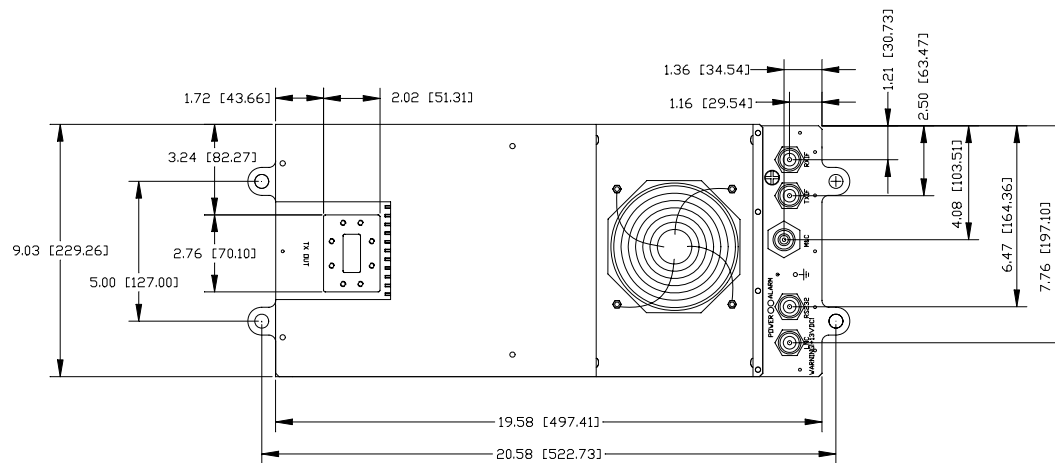
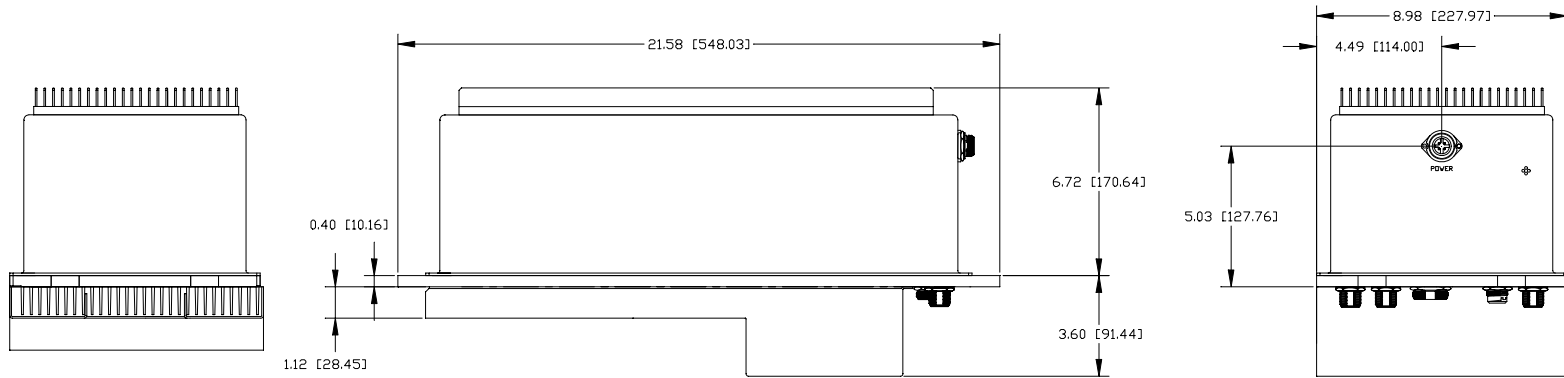


REV	BY	DESCRIPTION	DATE	APPROVED
1	ZHU	PROTOTYPE RELEASED	18/07/07	
2				



ANACOM, INC.

OUTLINE DRAWING
ODU, 30 WATT C-BAND

SIZE	CLASS CODE	DRAWING NUMBER	REV
D		33216	02
SCALE: NONE		FILE No. 33216021	SHEET 1 OF 1