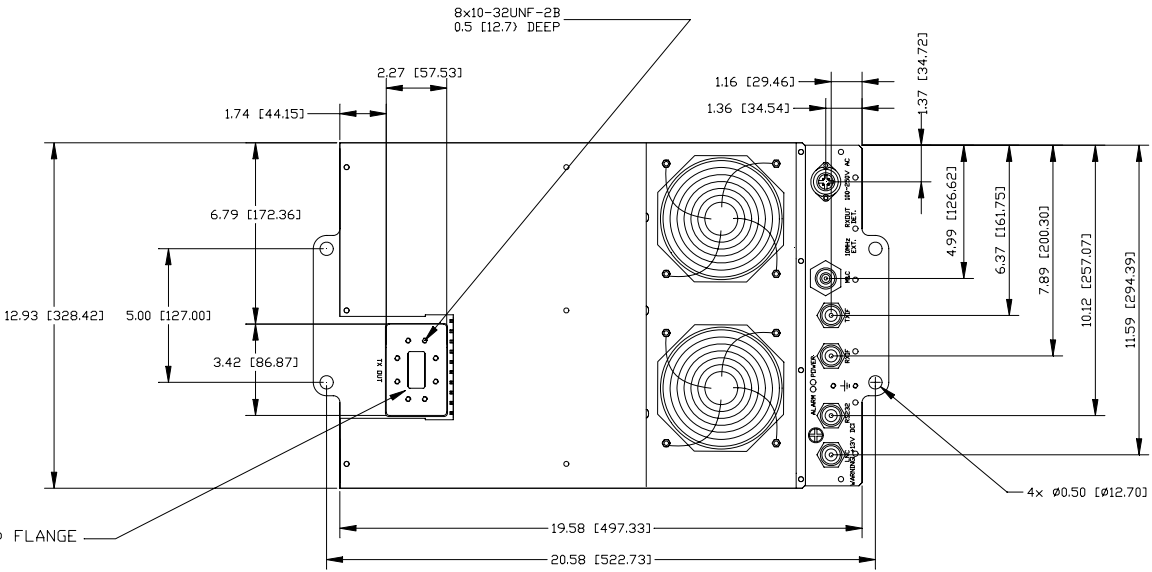
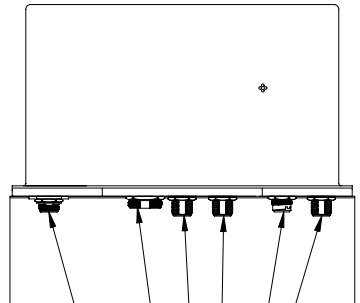
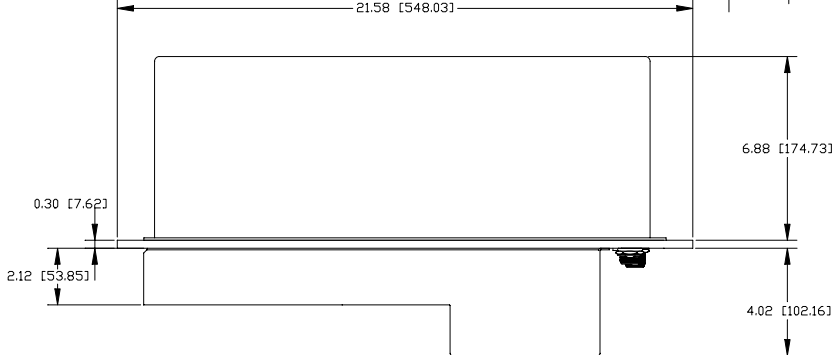
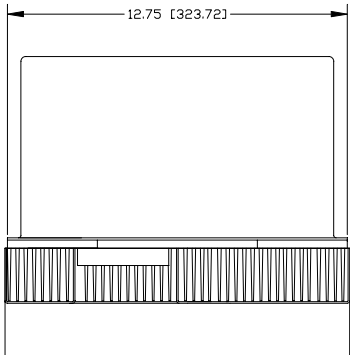


REV	BY	DESCRIPTION	DATE	APPROVED
1	ZHU	PROTDTYPE RELEASED	10/08/01	
2	ZHU	REV. PER ECD#765	2/23/06	
3	ZHU	REV. PER ECD#	8/12/09	



- LNC [TYPE NCF]
- RS232 [6 PIN]
- RXIF [TYPE NCF]
- TXIF [TYPE NCF]
- M&C [18 PIN]
- AC POWER [4 PIN]

TX OUT, CPR137(F) FLANGE

ANACOM, INC.

OUTLINE DRAWING
ODU, 70/80WATT C-BAND

SCALE: NONE	CLASS CODE: D	DRAWING NUMBER: 31604	REV: 3
FILE No. 31604031		SHEET 1 OF 1	