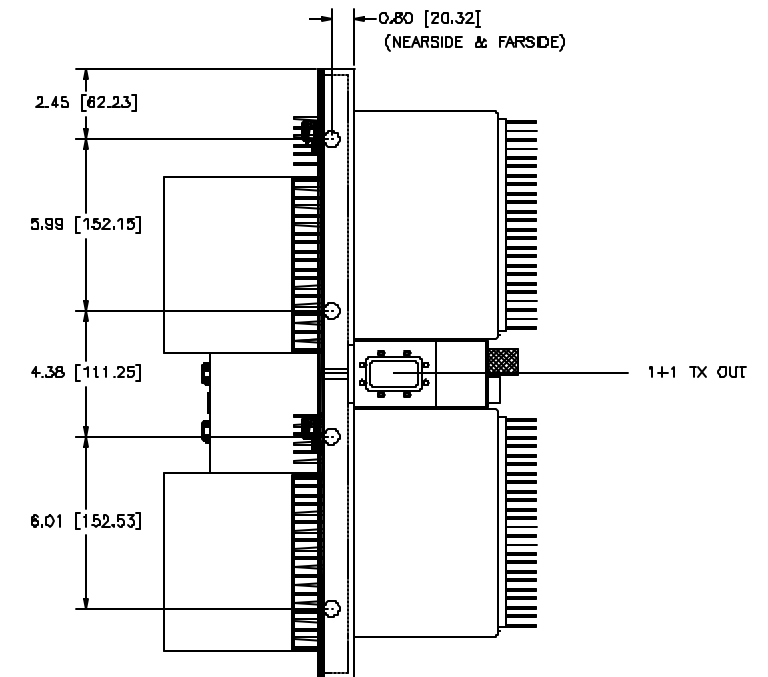
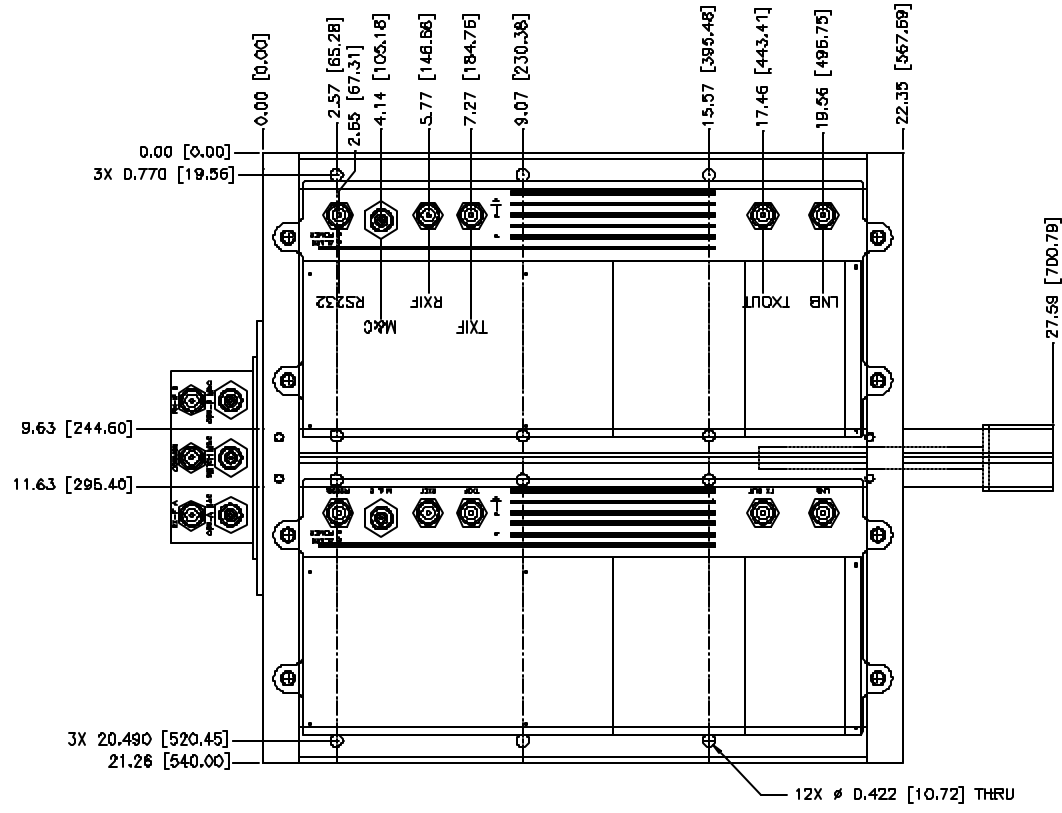
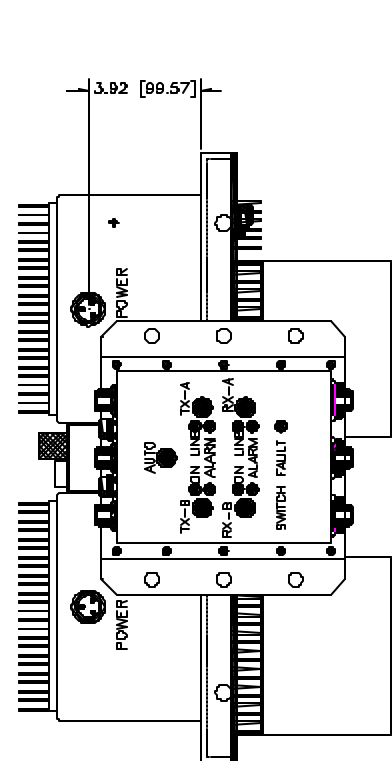
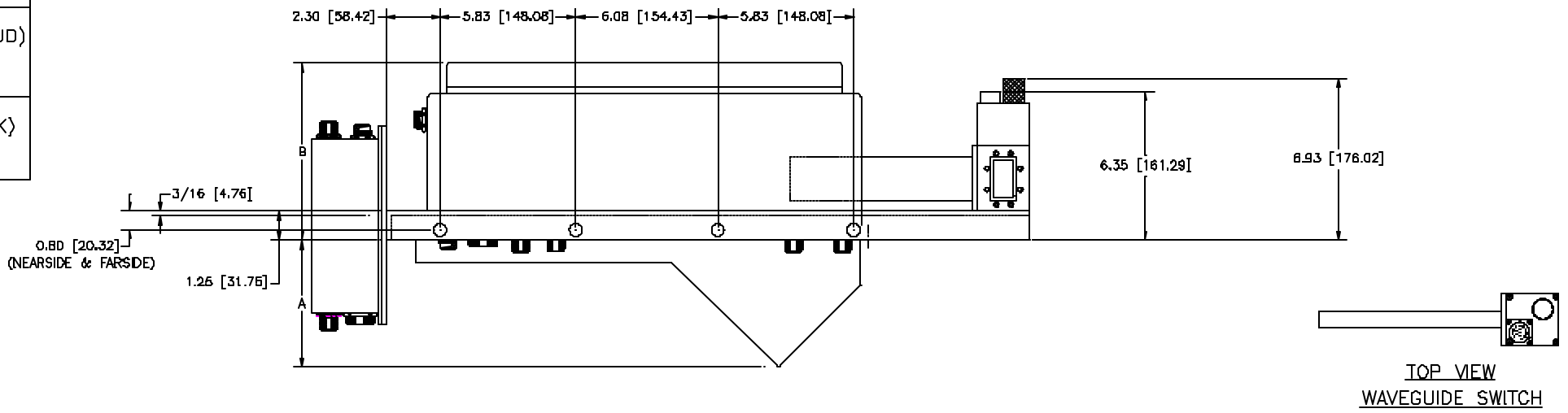


REV	BY	DESCRIPTION	DATE	APPROVED
1	NVN	PROTOTYPE RELEASE	11/05/97	JT
2	NVN	REV PER ECO #319	1/7/98	

	40W	10-20W	0-5W
A	6.42 [163.07]	5.10 [129.54]	0.93 (NO FAN SHROUD) [23.63]
B	7.58 [192.53]	7.03 [178.56]	6.05 (NO HEAT SINK) [153.67]

[XXX.XX] : METRIC UNITS



PROPRIETARY INFORMATION
THE INFORMATION CONTAINED HEREIN IS TO BE USED FOR SIMULATION/ANALYZING PURPOSES TO THE EXTENT ONLY. IT SHALL NOT BE DISCLOSED OR DIVULGED TO ANY THIRD PARTY WITHOUT THE PRIOR WRITTEN CONSENT OF ANALOG ENGINEERING, INC.

ITEM NO.	QTY	MATERIAL / SPECIFICATION	NOMENCLATURE OR DESCRIPTION	DRAWING OR PARTS LIST NUMBER	REV
<p>3RD ANGLE PROJECTION</p>					
<p>LIST OF MATERIAL OR PARTS LISTS</p>					
<p>MATERIAL: 1</p> <p>FINISH: 2</p> <p>DO NOT SCALE</p>			<p>SPECIFICATIONS: ALL DIMENSIONS ARE IN INCHES UNLESS OTHERWISE NOTED. DIMENSIONS IN [XXX] ARE IN MILLIMETERS. TOLERANCES: ANGLES: ± 1° X ± .08 [2.54] XX ± .020 [0.508] XXX ± .008 [0.254]</p> <p>ALL SURFACES 83 EXCEPT AS NOTED</p> <p>DATE: 11/05/97</p> <p>DESIGNED BY: JAMES T.</p>		
<p>DASH NO.</p> <p>NEXT ASSY</p> <p>USED ON</p> <p>APPLICATION</p>			<p>SIZE: D</p> <p>CLASS CODE</p> <p>DRAWING NUMBER: 31035</p> <p>REV: 2</p> <p>SCALE: NONE</p> <p>FILE No. 31036021</p> <p>SHEET 1 OF 1</p>		

Anacom, Inc.

OUTLINE DRAWING
AnaSat, 1 + 1