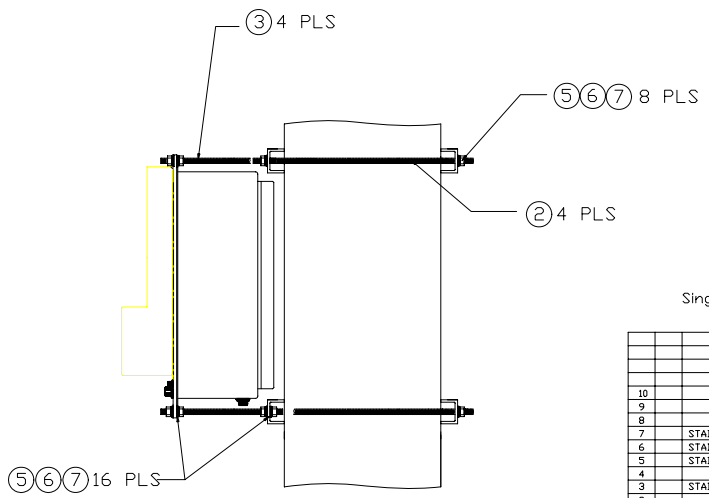
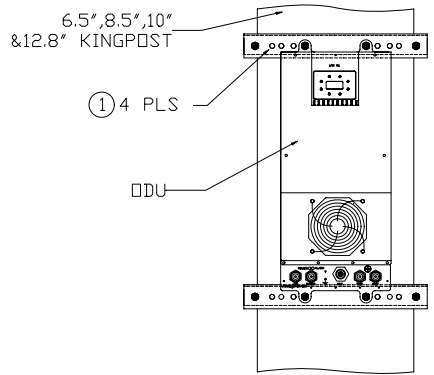
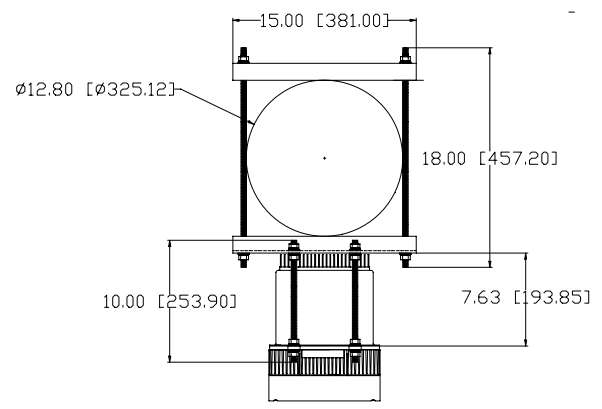


REV	BY	DESCRIPTION	DATE	APPROVED
01	ZHU	PROTOTYPE RELEASE	03/19/09	J.T.
04	ZHU	PER EGM	1/19/10	
05	ZHU	PER EGM	7/19/11	



Single Kingpost Mounting Kit Parts List
BDM #12098

REV	ZONE	MATERIAL/SPECIFICATION	QUANTITY	DESCRIPTION	PART NO	QTY	REV
10							
9							
8							
7		STAINLESS STEAL	28	WASHER SPLIT, M12 SS	11893002		
6		STAINLESS STEAL	28	WASHER FLAT, M12 SS	11893102		
5		STAINLESS STEAL	28	NUT, M12 SS	11892302		
4							
3		STAINLESS STEAL	4	THREADED M12 ROD,SS,10" LONG	33532		
2		STAINLESS STEAL	4	THREADED M12 ROD,SS,18" LONG	33525		
1		STEEL	4	FAB, SINGLE KINGPOST MOUNT KIT PART 1	33526		

		LIST OF MATERIAL OR PARTS LISTS	
MATERIAL: [1]		SPECIFICATIONS: ALL DIMENSIONS ARE IN INCHES. DIMENSIONS IN [] ARE IN MILLIMETERS. TOLERANCES: .XX ± .06 [X.X ± .15] .XXX ± .009 [XXX ± .23] .XXX ± .005 [XXX ± .13]	
FINISH: [2]		ALL SURFACES 63 ✓ EXCEPT AS NOTED DRAWN: ZHU DATE: 03/19/09 CHECKED: J.T. DATE: DIMENED: ZHU DATE: 03/19/09 WFL: ZHU DATE: EX: DATE:	
DO NOT SCALE		ASSEMBLY DWG, KINGPOST MOUNT KIT 22" & 38" SINGLE ODU Anacom, Inc.	
DASH NO. NEXT ASSY USED ON APPLICATION		SIZE CLASS CODE DRAWING NUMBER REV D NONE 33523 05	
SCALE: NONE		FILE No. 33523051 SHEET 1 OF 1	

PROPRIETARY INFORMATION
 THE INFORMATION CONTAINED HEREIN IS TO BE USED FOR DESIGN/ENGINEERING PURPOSES TO THE RECIPIENT ONLY. IT SHALL NOT BE DISCLOSED OR COPIED WITHOUT THE WRITTEN CONSENT OF ANACOM ENGINEERING, INC.