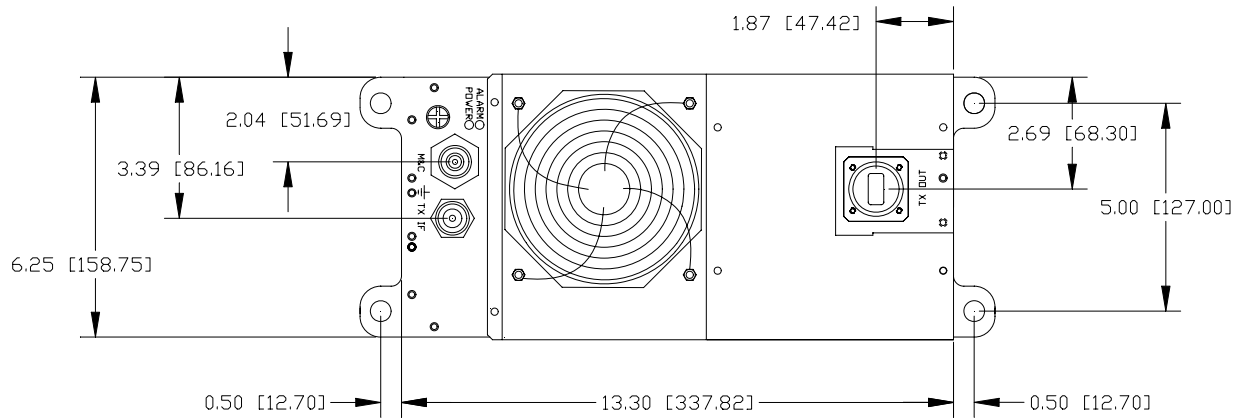
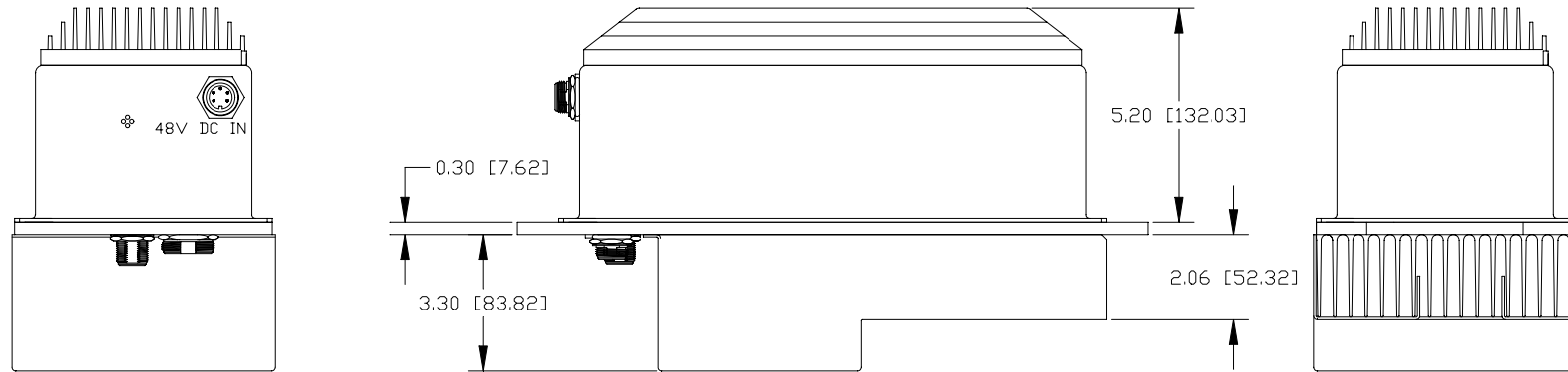


REV	BY	DESCRIPTION	DATE	APPROVED
1	ZHU	PROTOTYPE RELEASED	02/17/10	



ANACOM, INC.

OUTLINE DRAWING
Ku 40W BABY BUC, DC/DC P.S.

SIZE	CLASS CODE	DRAWING NUMBER	REV
D		32833	01
SCALE: NONE	FILE No. 3283301	SHEET 1	OF 1