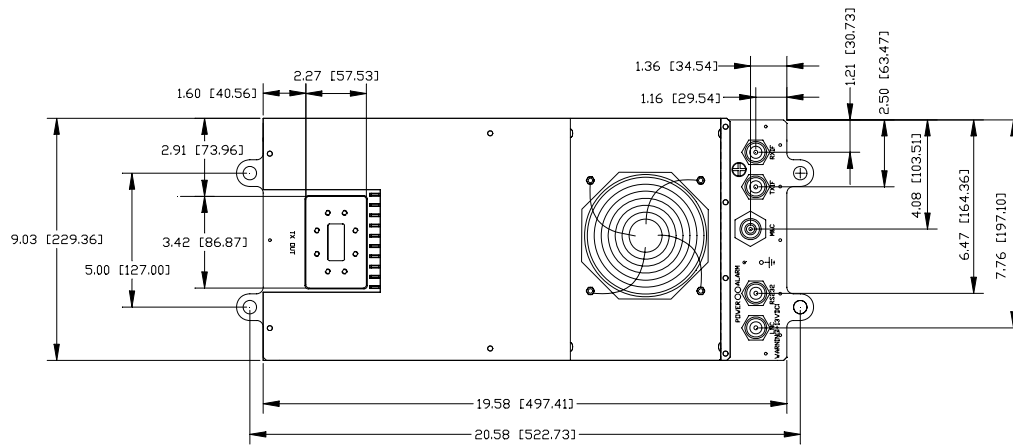
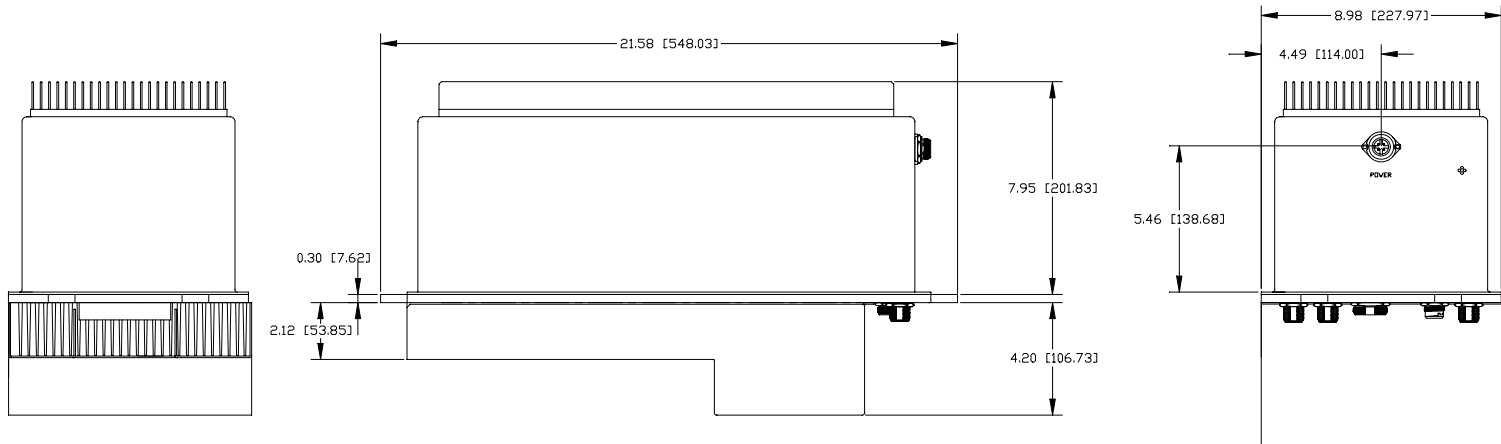


REV	BY	DESCRIPTION	DATE	APPROVED
1	ZHU	PROTOTYPE RELEASED	10/08/01	
2	ZHU	REV PER ECD #473	12/10/01	
3	ZHU	REV PER ECD #827	08/12/09	



ANACOM, INC.

OUTLINE DRAWING
ODU, 50/60 WATT C-BAND

SIZE	CLASS CODE	DRAWING NUMBER	REV
D		31442	3
SCALE: NONE		FILE No. 31442031	SHEET 1 OF 1