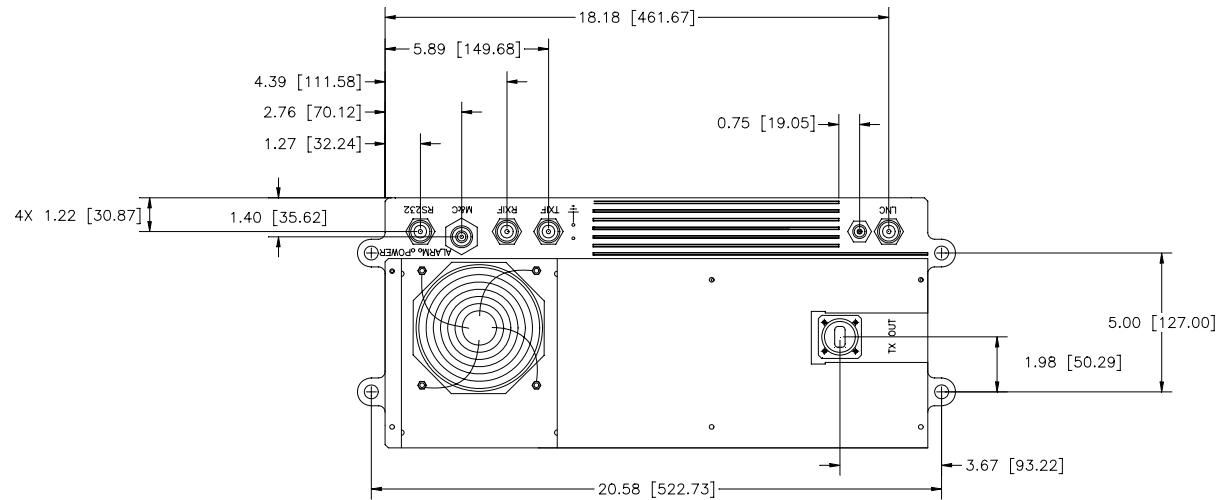


REV	BY	DESCRIPTION	DATE	APPROVED
03	VT	REV PER FILE NO. 30971021 (REV. 2)	03/24/00	DT
04	TD	REV PER FILE NO. 30971031 (REV 2)	07/05/00	
05	ZHU	REV PER ECO #827	08/14/09	



ANACOM, INC.

OUTLINE DRAWING  
Ku Band; 16/20/23/25 WATT

SIZE	CLASS CODE	DRAWING NUMBER	REV
D		30971	5

SCALE: NONE FILE No. 30971051 SHEET 1 OF 1