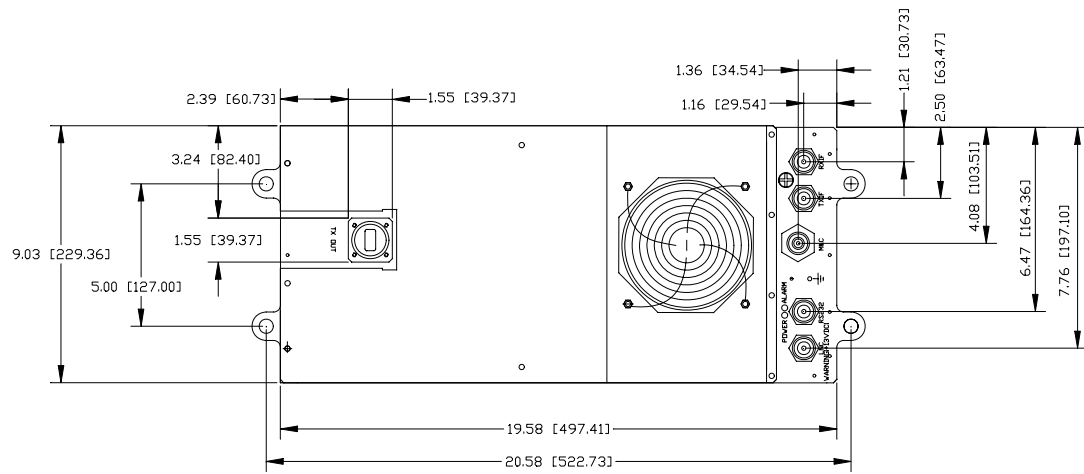
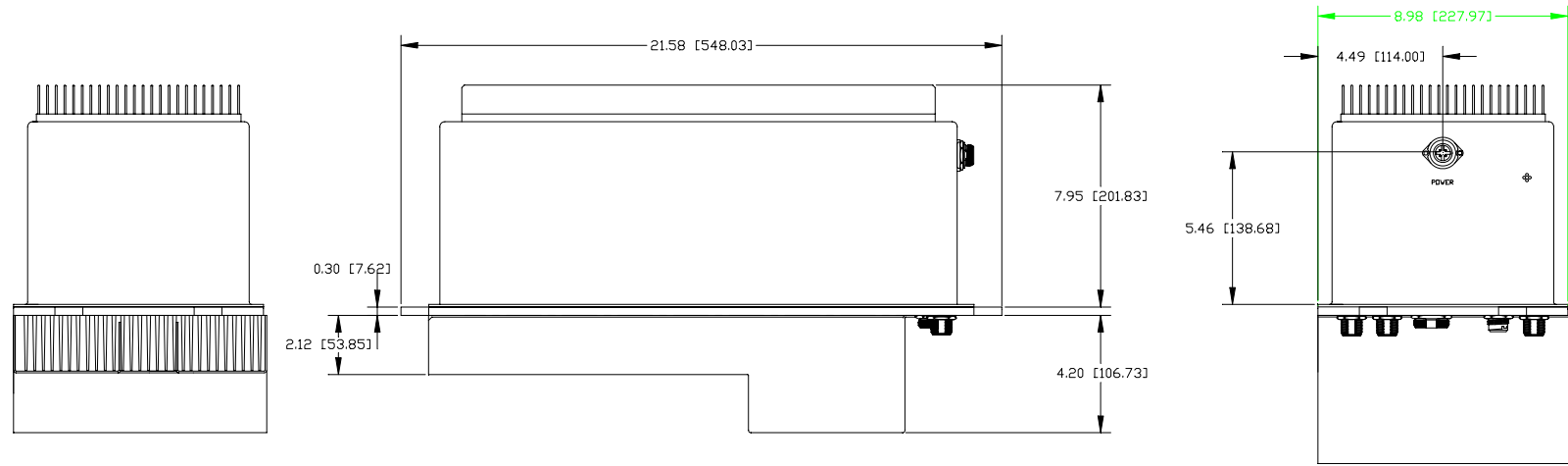


REV	BY	DESCRIPTION	DATE	APPROVED
1	ZHU	PROTOTYPE RELEASED	8/13/09	
2				
3				



**ANACOM, INC.**

**OUTLINE DRAWING**  
**ODU, 32 WATT Ku-BAND**

SIZE	CLASS CODE	DRAWING NUMBER	REV
D		33482	01
SCALE: NONE	FILE No.	33482011	SHEET 1 OF 1