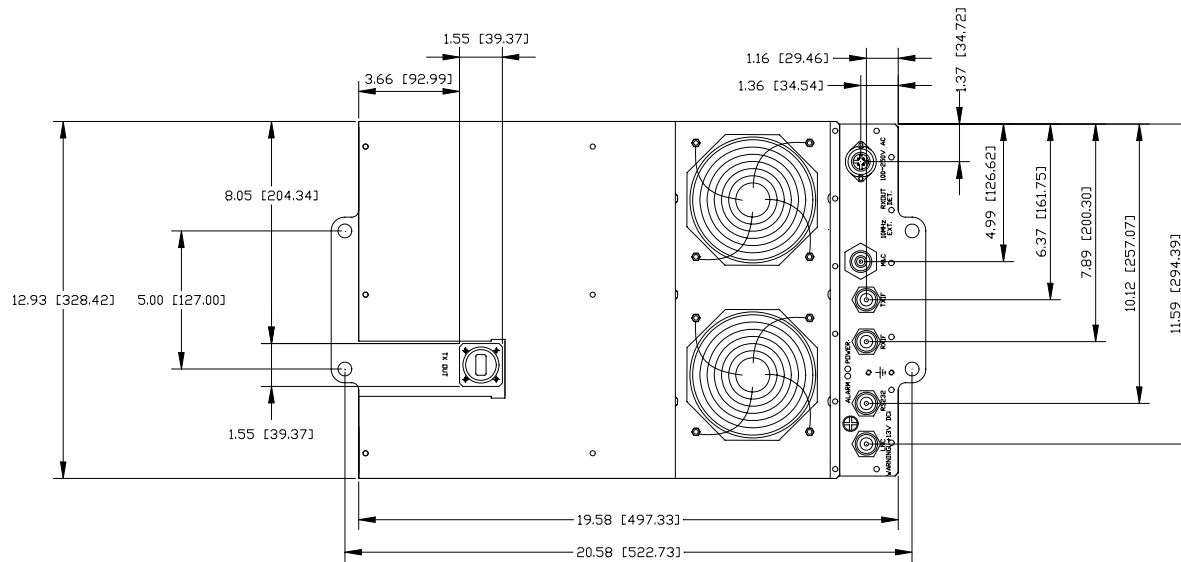
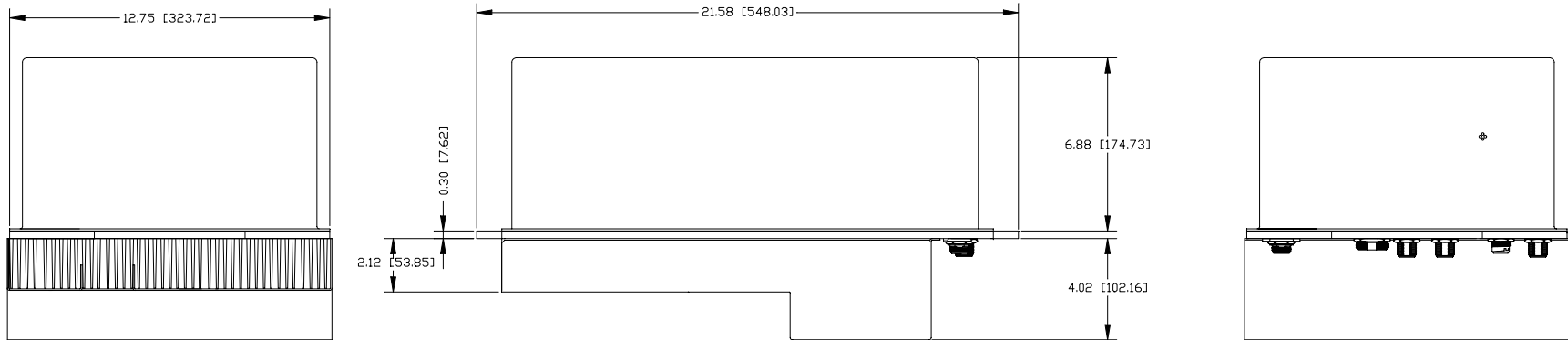


REV	BY	DESCRIPTION	DATE	APPROVED
1	ZHU	PROTOTYPE RELEASED	6/03/02	
2	ZHU	REV.PER ECD #827	8/13/09	



ANACOM, INC.

OUTLINE DRAWING  
ODU, 40/50/60 WATT Ku

SIZE	CLASS CODE	DRAWING NUMBER	REV
D		31553	2
SCALE: NONE	FILE No. 31553021	SHEET 1 OF 1	