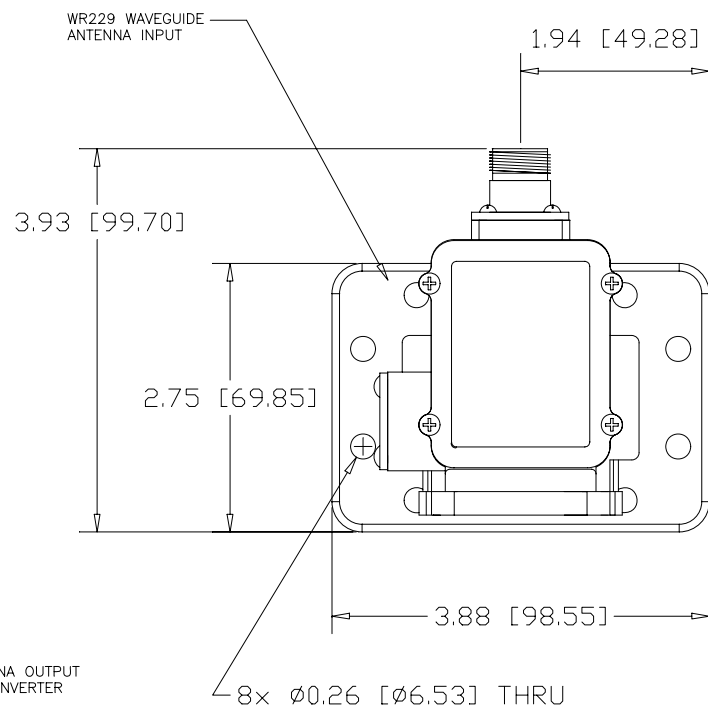
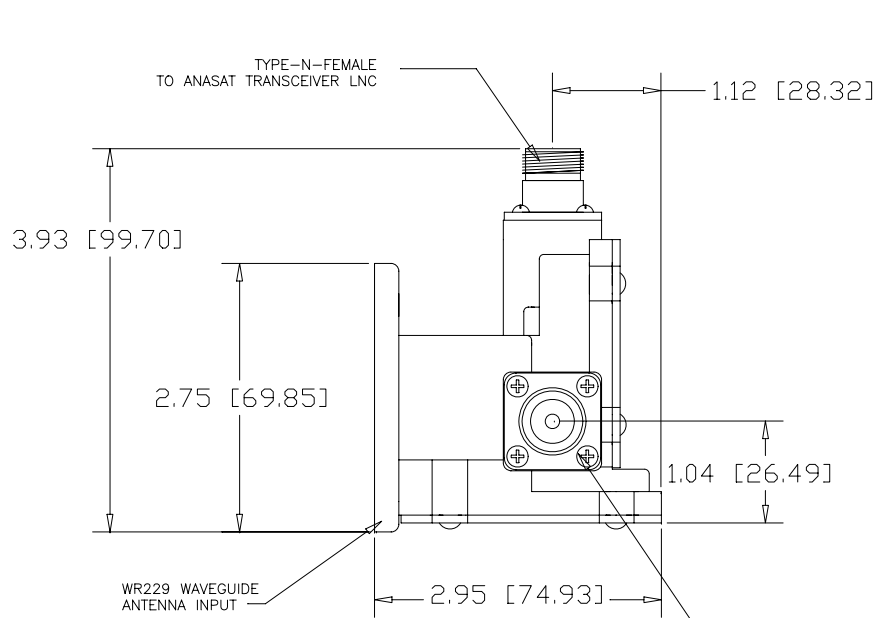


REV	BY	DESCRIPTION	DATE	APPROVED
1	JLH	PROTOTYPE RELEASE	3/5/99	JT
2	ZHU		7/17/09	



TYPE-N-FEMALE
OPTIONAL C BAND LNA OUTPUT
TO BLOCK DOWN CONVERTER

ITEM NO.	ZONE	MATERIAL/SPECIFICATION	QUANTITY	DESCRIPTION	UNIT
1		31188021		OUTLINE DRAWING C-BAND, LNC	

3RD ANGLE PROJECTION	MATERIAL: [1] FINISH: [2] DO NOT SCALE	SPECIFICATIONS: ALL DIMENSIONS ARE IN INCHES. DIMENSIONS IN [000] ARE IN MILLIMETERS. TOLERANCES: ANGLES ± 1° .125 ± .005 [3.175] .001 ± .0005 [0.0254] .000 ± .0005 [0.0127] ALL SURFACES 63 EXCEPT AS NOTED DRAWN: JUL DATE: 3/5/99 CHECKED: DATE:	LIST OF MATERIAL OR PARTS LISTS Anacom, Inc. OUTLINE DRAWING C-BAND, LNC DRAWING NUMBER: 31188021 SCALE: NONE FILE NO. 31188 SHEET 1 OF 1
----------------------	--	---	---

PROPRIETARY INFORMATION
 THE INFORMATION CONTAINED HEREIN IS
 TO BE USED FOR PRODUCTION/REWORKING
 PURPOSES TO THE EXCLUSIVE BENEFIT OF
 ANACOM, INC. IT SHALL NOT BE DISCLOSED OR COPIED TO
 ANY OTHER PARTY WITHOUT THE WRITTEN
 CONSENT OF ANACOM ENGINEERING, INC.