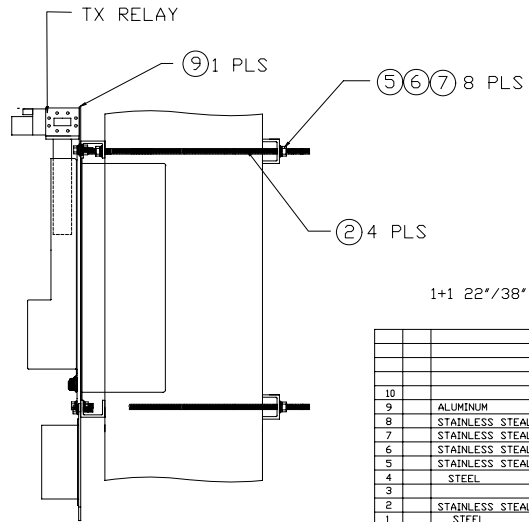
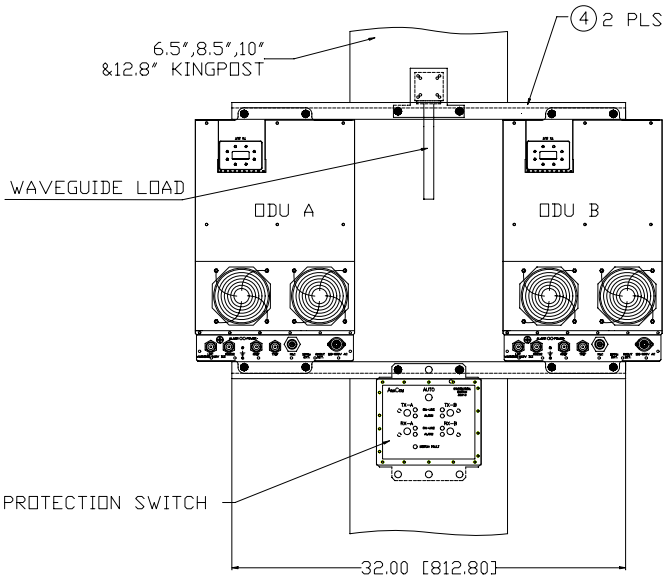
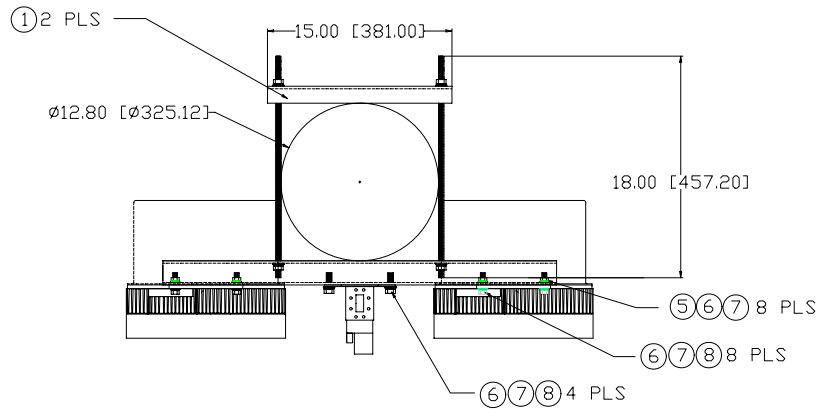


REV	BY	DESCRIPTION	DATE	APPROVED
01	ZHU	PROTOTYPE RELEASE	08/1/09	J.T.
03	ZHU	PER ECDM	1/19/10	



1+1 22"/38" ODU Kingpost Mounting Kit Parts List
BOM #12097

ITEM NO.	ZONE	MATERIAL/SPECIFICATION	NOMENCLATURE OR DESCRIPTION	PART OR IDENTIFIER NUMBER	QTY. REQD.
10					
9		ALUMINUM	TX RELAY PLAT	31622	1
8		STAINLESS STEEL	BOLT, M12 x2", SS	11832102	15
7		STAINLESS STEEL	WASHER SPLIT, M12 SS	11833002	32
6		STAINLESS STEEL	WASHER FLAT, M12 SS	11833102	32
5		STAINLESS STEEL	NUT, M12 SS	11832302	20
4		STEEL	LONG BAR	335229	2
3					
2		STAINLESS STEEL	THREADED M12 ROD,SS,18" LONG	33525	4
1		STEEL	FAB, SINGLE KINGPOST MOUNT KIT PART 1	33526	2

3RD ANGLE PROJECTION

MATERIAL: 1
FINISH: 2
DO NOT SCALE

PROPRIETARY INFORMATION:
 THE INFORMATION CONTAINED HEREIN IS THE PROPERTY OF ANALOG ENGINEERING, INC. AND IS TO BE USED ONLY FOR THE PURPOSES SPECIFIED. IT SHALL NOT BE DISCLOSED OR COPIED TO ANY THIRD PARTY WITHOUT THE PRIOR WRITTEN CONSENT OF ANALOG ENGINEERING, INC.

APPLICATION:

LIST OF MATERIAL OR PARTS LISTS
 Anacom, Inc.
 ASSY DWG, KINGPOST MOUNT KIT
 1+1 22"/38" ODU

ENGINEER: ZHU **DATE:** 08/1/09
DRAWN: J.T. **DATE:** 08/1/09
CHECKED: J.T. **DATE:** 08/1/09
SCALE: NONE **FILE No.:** 33528031 **SHEET 1 OF 1**

8 7 6 5 4 3 2 1

D

C

B

A

8 7 6 5 4 3 2 1