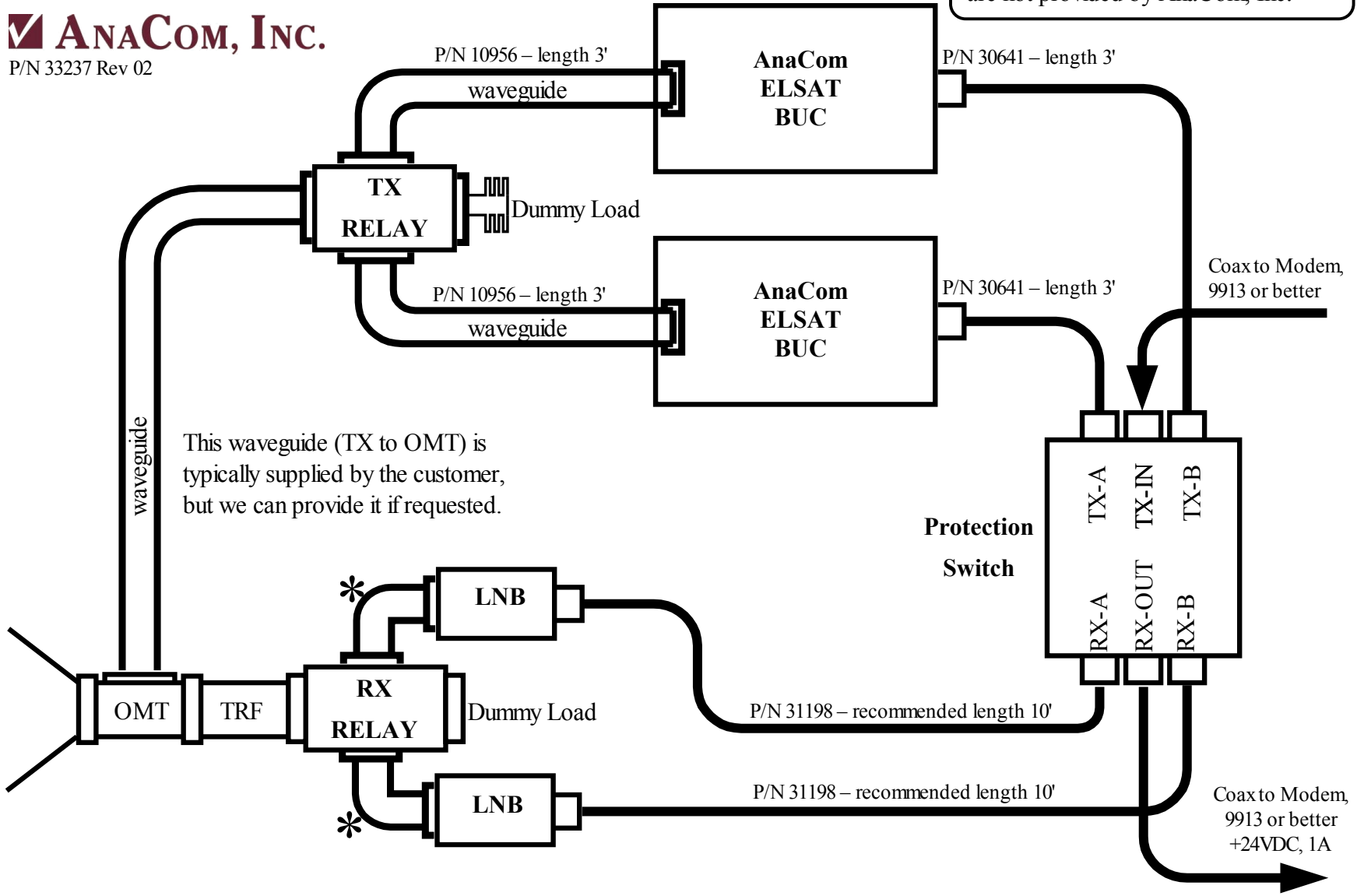


* Right-angle waveguide elbows might be required for some LNBS, but are not provided by AnaCom, Inc.



1+1 Redundant Protection Switch for two ELSAT BUCs and LNB protection.

This diagram shows RF/IF connections only, the control cables (PS to BUCs & PX to Relays) are not shown