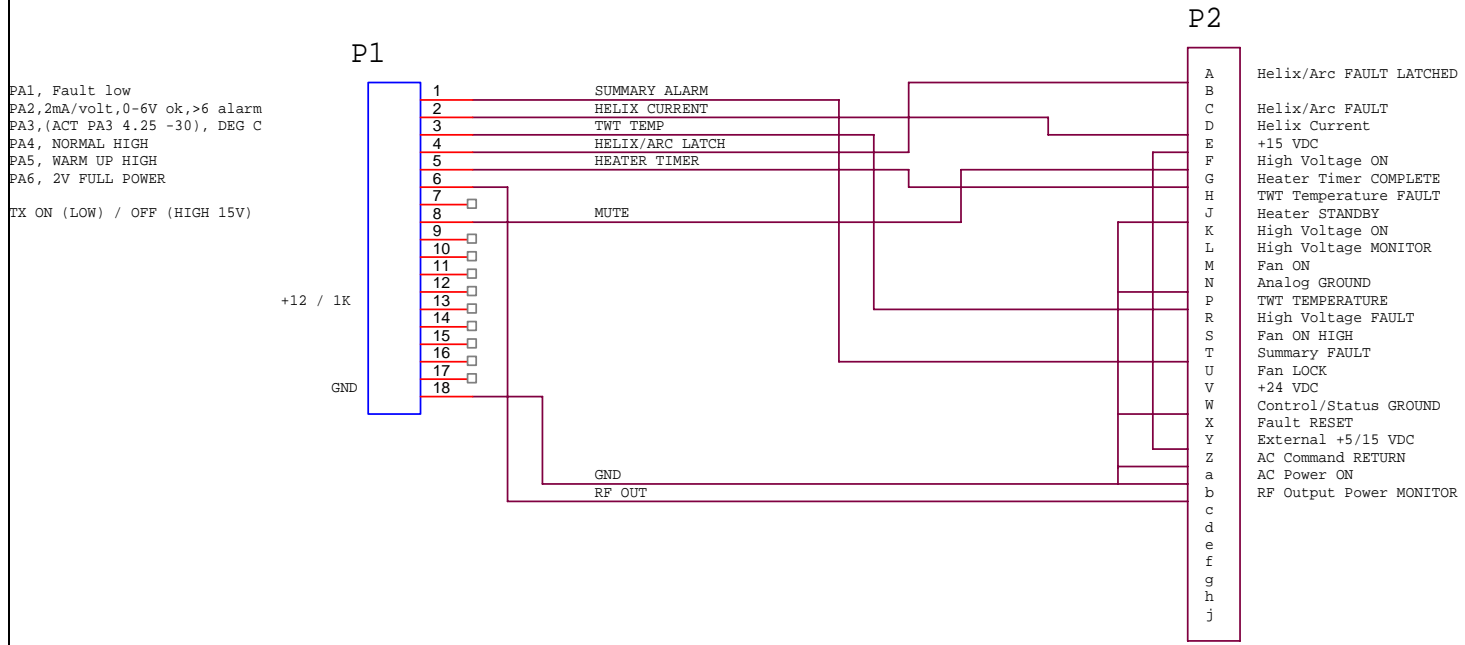


NOTES:

- 1 CABLE IS 9 WIRES, 26 AWG MIN WITH OVER ALL SHIELD.
- 2 P1 CONNECTOR IS CONXALL TYPE 13282-18PG-325
- 3 P2 CONNECTOR IS BENDIX PT06E-18-32P(SR) OR EQUAL
- 4 CABLE ASSEMBLY SHALL BE CONSTRUCTED TO BE WATER TIGHT
5. CABLE TO BE IDENTIFIED BY PART NUMBER PLUS DASH NUMBER INDICATING LENGTH IN FEET USING UV RESISTANT INK AND MATERIALS.



ANACOM INC.		
Title CABLE, XICOM HPA M&C		
Size A	Document Number 30952	Rev 4
Date: Friday, November 08, 2002	Sheet 1 of 1	